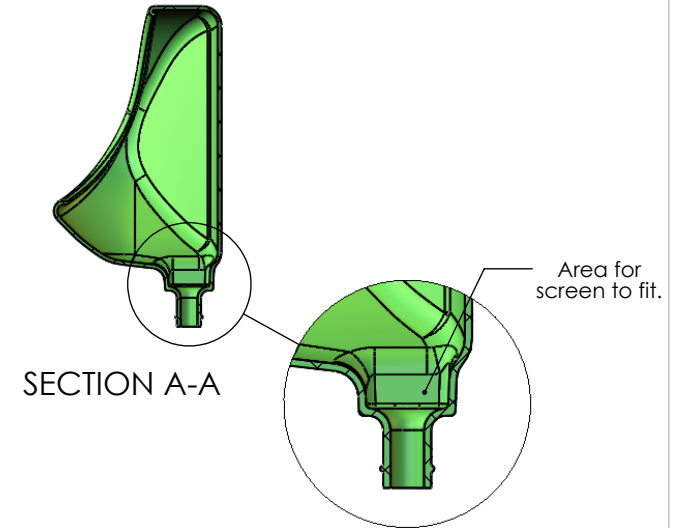
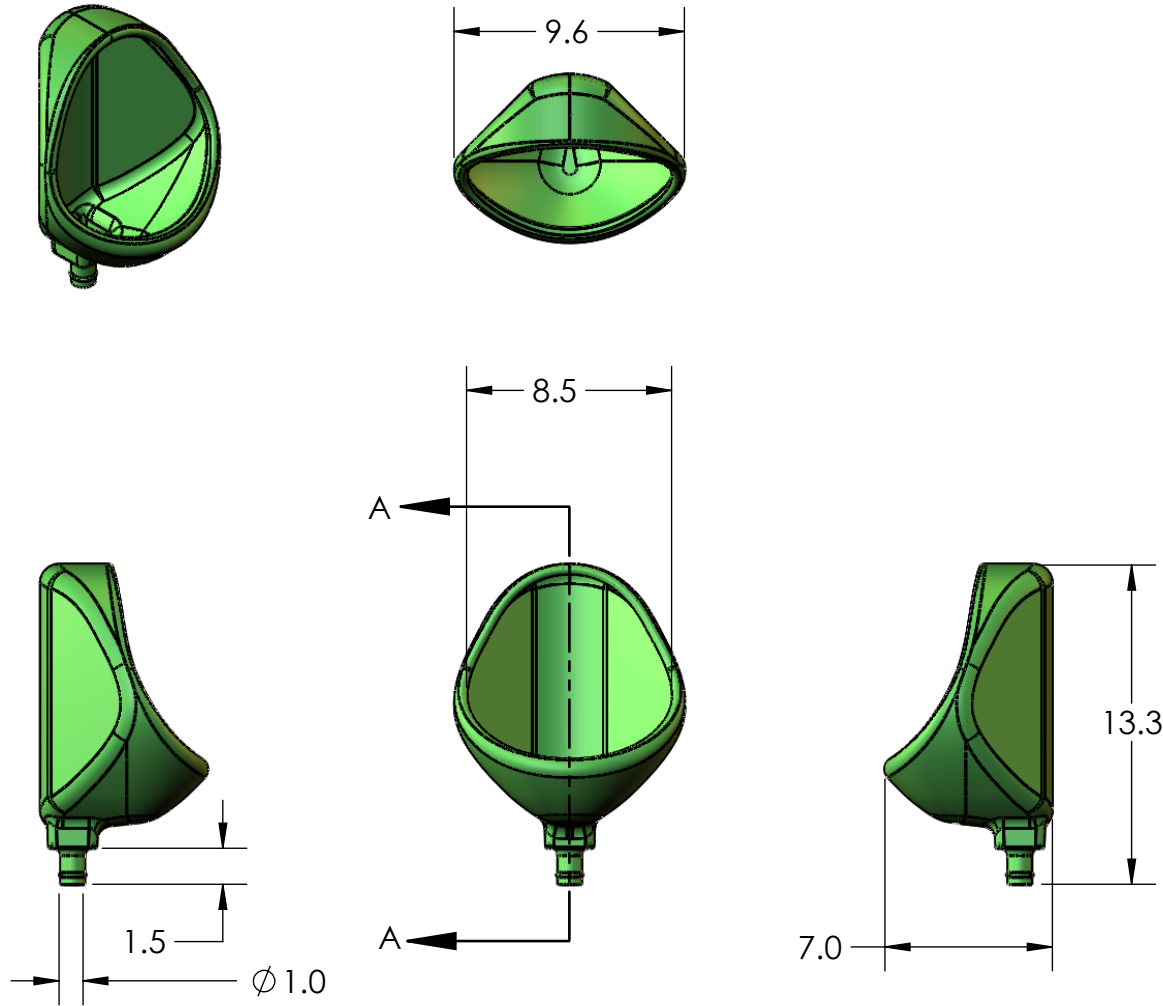


Approved for Tooling Manufacture \_\_\_\_\_

Date \_\_\_\_\_

Suitability of this design for its application is sole responsibility of the customer.




DETAIL F  
SCALE 1 : 4

Notes:

1. Average wall thickness to be .15".
2. Rotationally Moulded LLDPE, UV protected virgin polyethylene.
3. Color matched to customer sample.
4. Medium shot peen texture on outside surface.

Tolerances : Finished part dimensional tolerances for rotomoulding are much larger than for other materials and processes. Please study them carefully & signing above acknowledges you have done so.

DIMENSIONS ARE IN INCHES TOLERANCES:		NAME	DATE		<b>Northwest Plastics Ltd</b> 200 - 1605 Industrial Ave. Port Coquitlam, BC V3C 6M9 (604) 552-9734
+/- 1.5%		DRAWN	JW Jan 29,13		
MATERIAL		CHECKED		Wishbone Industries Ltd. Out House Urinal	
Polyethylene		ENG APPR.			
DO NOT SCALE DRAWING		MFG APPR.			
		Q.A.		SIZE	DWG. NO.
		COMMENTS:		<b>A</b>	JW-322-01
				SCALE:1:8	SHEET 1 OF 1

**PROPRIETARY AND CONFIDENTIAL**

THE INFORMATION CONTAINED IN THIS DRAWING IS THE SOLE PROPERTY OF NORTHWEST PLASTICS LTD. ANY REPRODUCTION IN PART OR AS A WHOLE WITHOUT THE WRITTEN PERMISSION OF NORTHWEST PLASTICS LTD IS PROHIBITED.