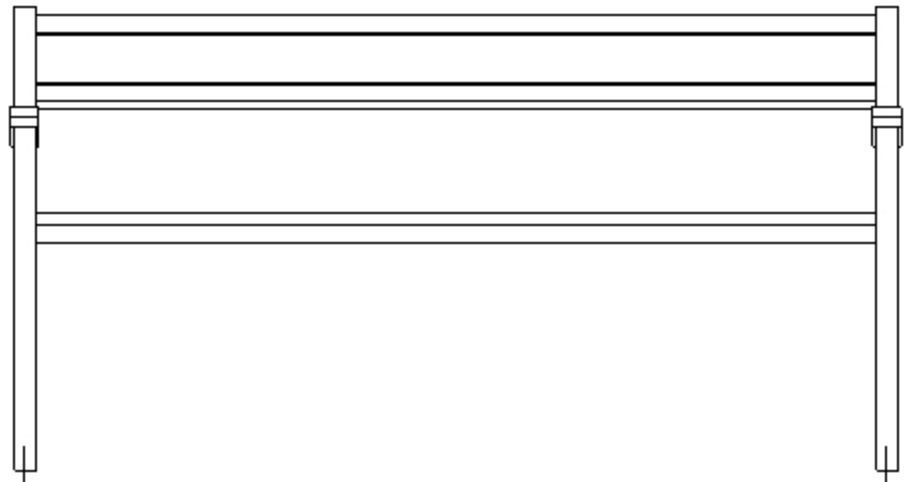


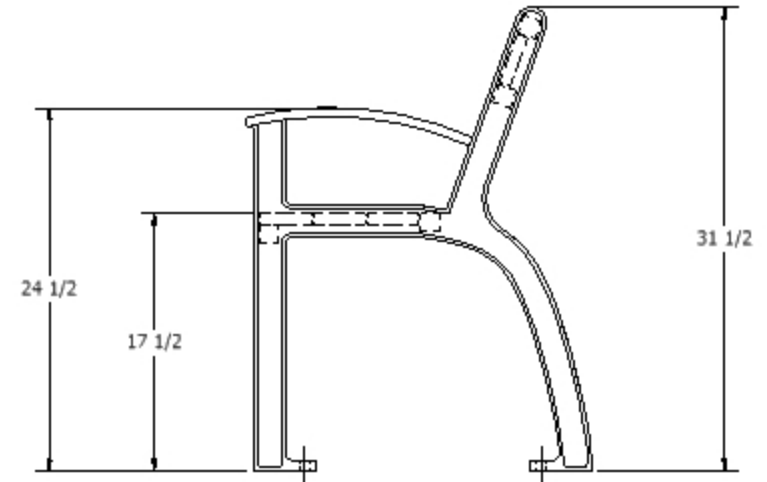
TOP VIEW

60 1/2



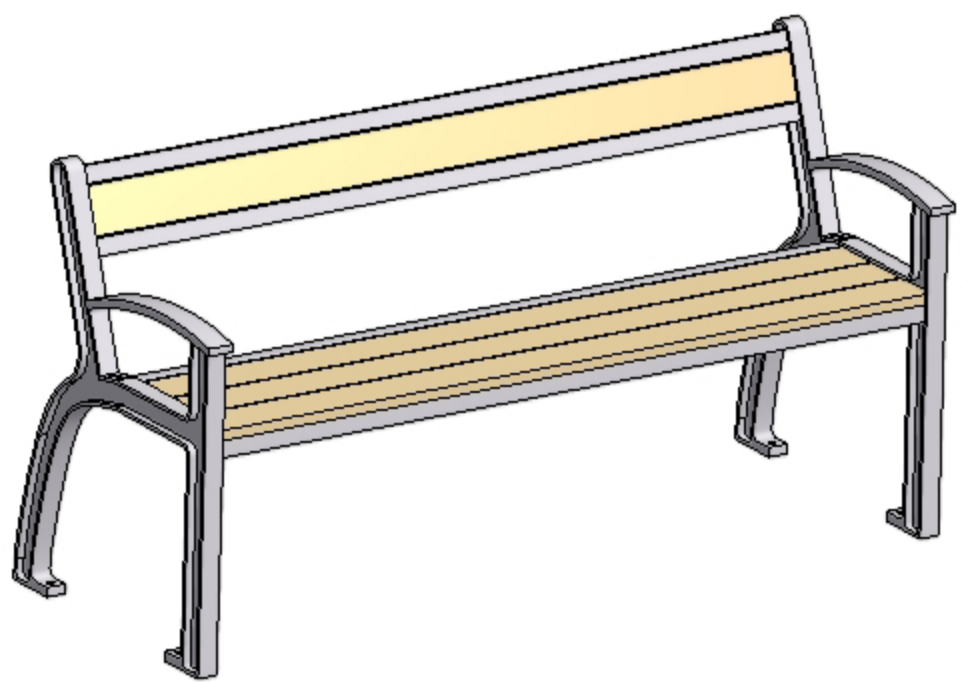
FRONT VIEW

58 1/2



LEFT SIDE VIEW

16 1/16



DRAWN	SAR	1/25/2010			
CHECKED					
CUSTOMER SIGNATURE			TITLE		
MFG			BESELT PARK BENCH WITH RECYCLED PLASTIC		
APPROVED			SIZE	DWG NO	REV
<small> WISHBONE AND WISHBONE'S LOGO ARE TRADEMARKS OF WISHBONE SITE FURNISHINGS, INC. © 2010 WISHBONE SITE FURNISHINGS, INC. ALL RIGHTS RESERVED. </small>			C	B-5	
<small> WISHBONE AND WISHBONE'S LOGO ARE TRADEMARKS OF WISHBONE SITE FURNISHINGS, INC. © 2010 WISHBONE SITE FURNISHINGS, INC. ALL RIGHTS RESERVED. </small>			SCALE	SHEET 1 OF 1	