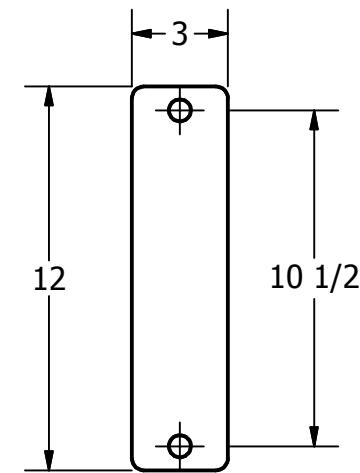
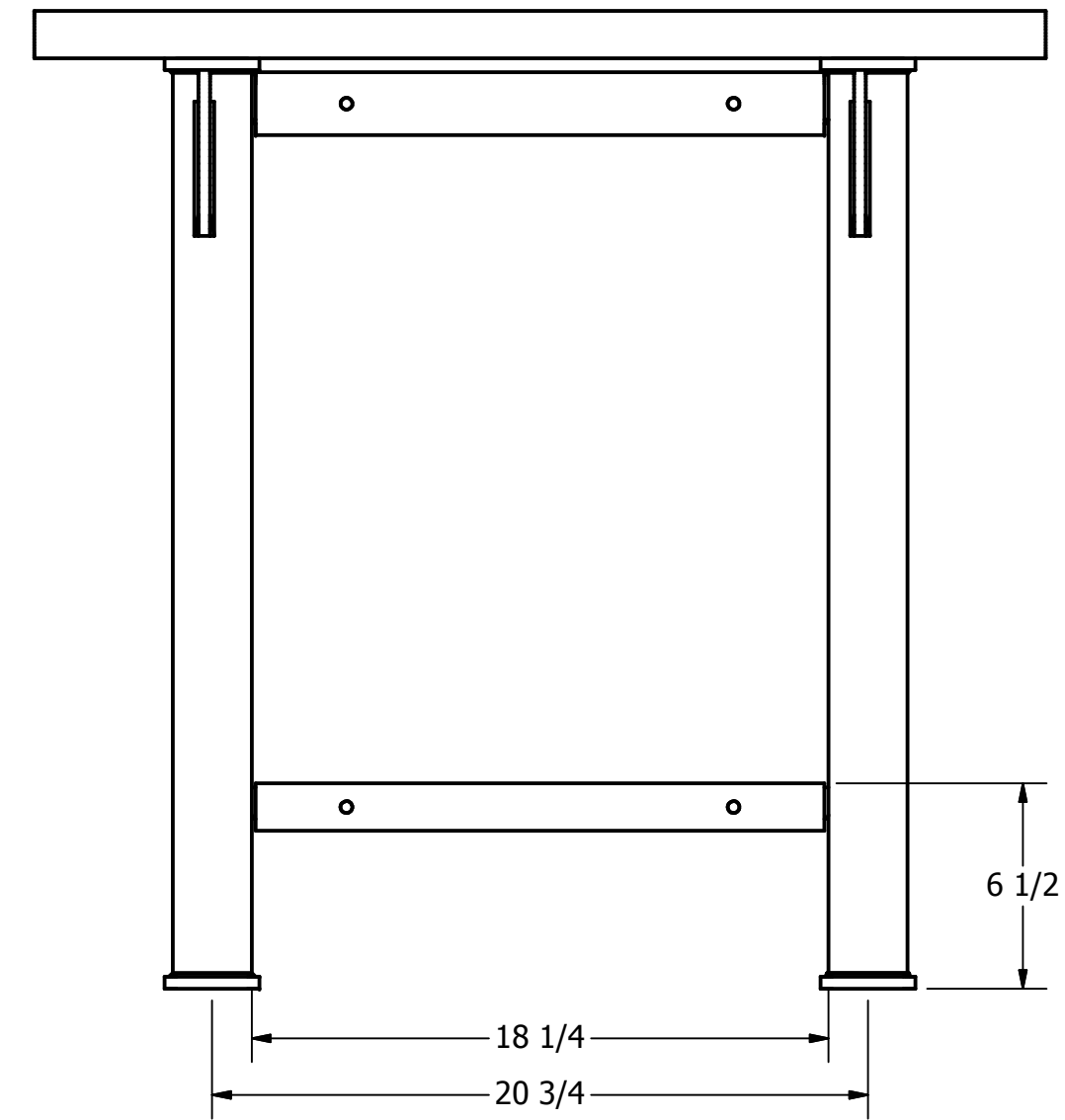
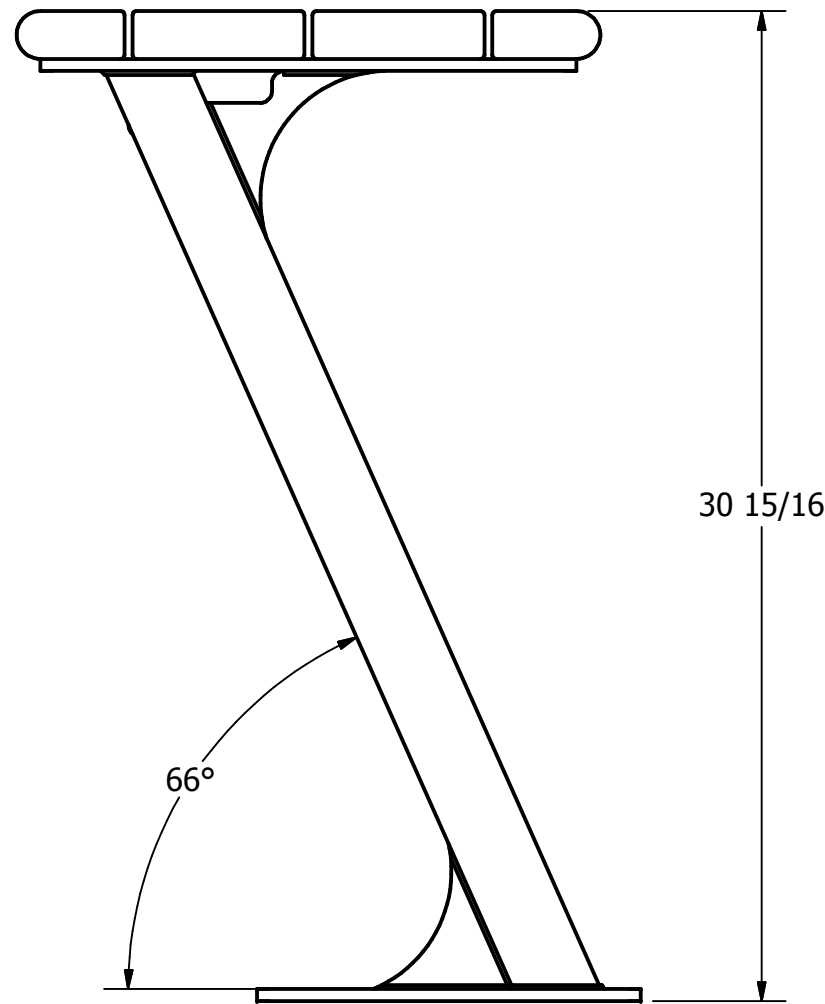
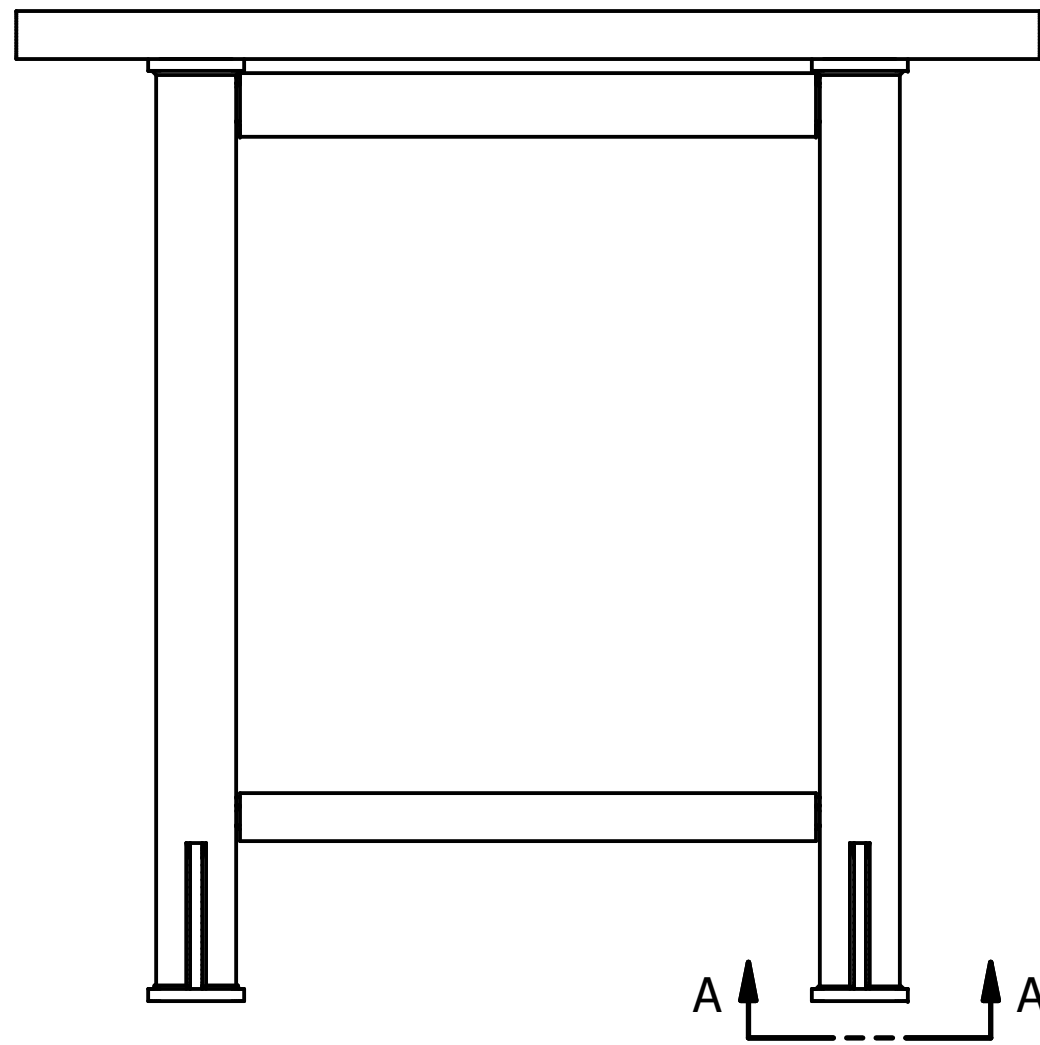
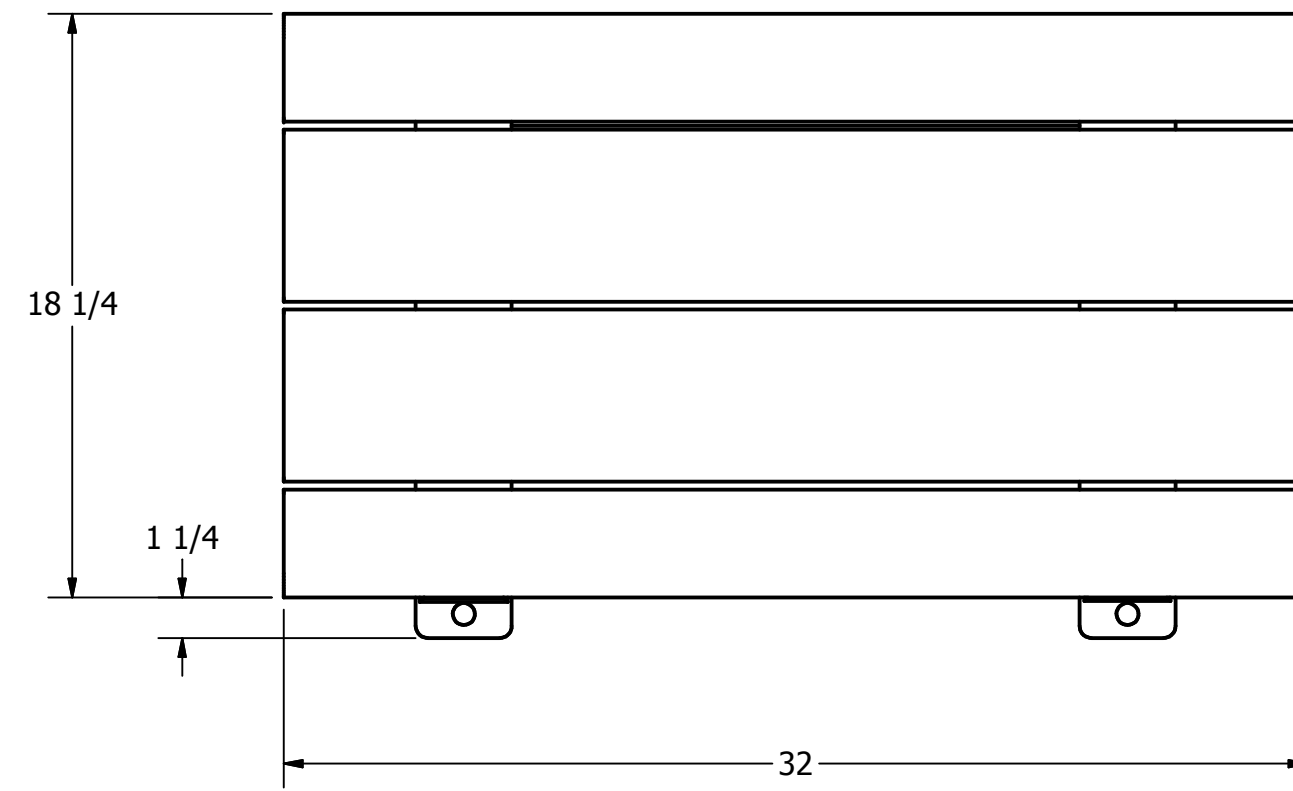


APPROXIMATE WEIGHT = 60 LBS



SECTION A-A  
BASE FOOT

DRAWN DRESENER	01/01/2009	<b>Wishbone Industries</b>	
CHECKED			
QA		TITLE	
MFG		BAYVIEW TABLE ASSEMBLY	
APPROVED		SIZE <b>C</b>	DWG NO <b>BVT-30</b>
PROPRIETARY AND CONFIDENTIAL THE INFORMATION CONTAINED ON THIS DRAWING IS THE SOLE PROPERTY OF WISHBONE INDUSTRIES LTD. ANY REPRODUCTION IN PART OR WHOLE WITHOUT WRITTEN CONSENT OF WISHBONE INDUSTRIES LTD IS PROHIBITED.	TOLERANCES UNLESS OTHERWISE SPECIFIED FRACTIONAL +/- 1/32 TWO DECIMAL +/- .015 THREE DECIMAL +/- .005 ANGLE +/- 1°	SCALE	REV <b>NEW</b>
		SHEET 1 OF 2	